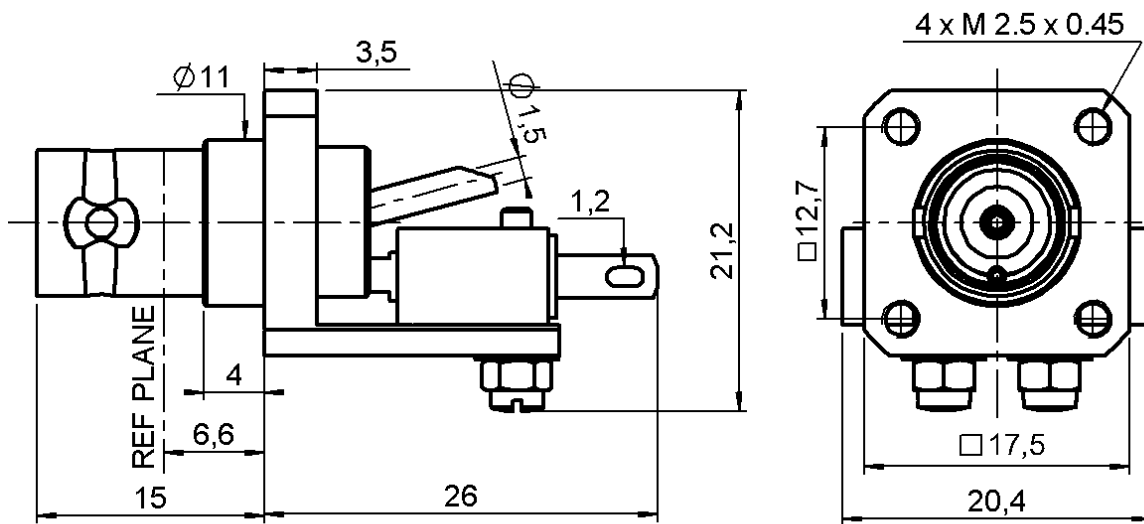


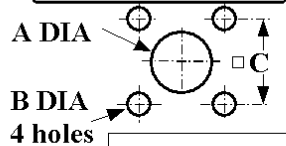
**FLANGE JACK RECEPTACLE  
WITH REMOVABLE CONTACT**

**R141.439.000**

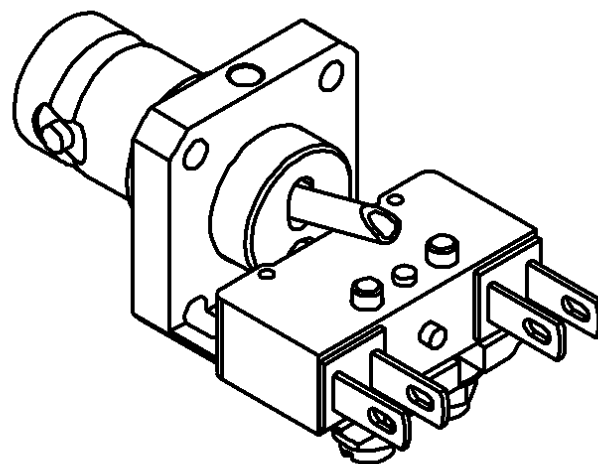
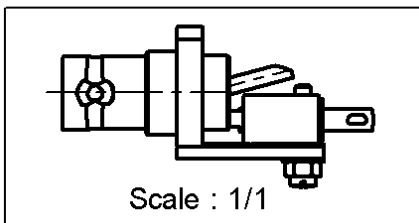
Series : BNC-COM



**PANEL CUT OUT**



|   | mm    |       |
|---|-------|-------|
|   | Maxi  | mini  |
| A | 11.3  | 11.2  |
| B | 2.7   | 2.6   |
| C | 12.75 | 12.65 |



All dimensions are in mm.



| COMPONENTS     | MATERIALS        | PLATINGS (µm)          |
|----------------|------------------|------------------------|
| BODY           | BRASS            | NICKEL 2               |
| CENTER CONTACT | BERYLLIUM COPPER | GOLD 0.5 OVER NICKEL 2 |
| OUTER CONTACT  | -                | -                      |
| INSULATOR      | NYLON            | -                      |
| GASKET         | -                | -                      |
| OTHERS PARTS   | -                | -                      |
| -              | -                | -                      |
| -              | -                | -                      |

Issue : 0326 Q

In the effort to improve our products, we reserve the right to make changes judged to be necessary.



**FLANGE JACK RECEPTACLE  
WITH REMOVABLE CONTACT**

**R141.439.000**

Series : **BNC-COM**

**PACKAGING**

**SPECIFICATION**

| Standard   | Unit              | Other             |
|------------|-------------------|-------------------|
| <b>100</b> | <b>'W' option</b> | <b>Contact us</b> |

**ELECTRICAL CHARACTERISTICS**

**ENVIRONMENTAL**

|                                 |             |                             |
|---------------------------------|-------------|-----------------------------|
| Impedance                       |             | <b>50</b> Ω                 |
| Frequency                       |             | <b>0-1.5</b> GHz            |
| VSWR                            | <b>NA</b> + | <b>0.000</b> x F(GHz) Maxi  |
| Insertion loss                  |             | <b>NA</b> √F(GHz) dB Maxi   |
| RF leakage                      | - (         | <b>NA</b> - F(GHz)) dB Maxi |
| Voltage rating                  |             | <b>500</b> Veff Maxi        |
| Dielectric withstanding voltage |             | <b>1500</b> Veff mini       |
| Insulation resistance           |             | <b>5000</b> MΩ mini         |

|                       |                     |
|-----------------------|---------------------|
| Operating temperature | <b>-35/+70</b> ° C  |
| Hermetic seal         | <b>NA</b> Atm.cm3/s |
| Panel leakage         | <b>NA</b>           |

**OTHERS CHARACTERISTICS**

Assembly instruction **NA**

Others :  
-

**MECHANICAL CHARACTERISTICS**

|                            |               |             |
|----------------------------|---------------|-------------|
| Center contact retention   |               |             |
| Axial force – Mating end   | <b>15</b>     | N mini      |
| Axial force – Opposite end | <b>15</b>     | N mini      |
| Torque                     | <b>NA</b>     | N.cm mini   |
| Recommended torque         |               |             |
| Mating                     | <b>NA</b>     | N.cm        |
| Panel nut                  | <b>NA</b>     | N.cm        |
| Mating life                | <b>100</b>    | Cycles mini |
| Weight                     | <b>18.000</b> | g           |

Issue : 0326 Q

In the effort to improve our products, we reserve the right to make changes judged to be necessary.

